

VACTIDY

V8 Cordless Vacuum Cleaner

User's manual

- Please read this manual carefully before use
- The company reserves the right to interpret the instructions
- The appearance of the product is subject to change without notice.
- After reading, please keep it together with the invoice
- In case of product technology or software upgrade, without notice



V8

Shenzhen Runtong Technology Co., Ltd.
Service support
Web: www.vactidy.com
E-mail: support@vactidy.com

CONTENTS

EN

Important Safety Instruction	01
Components List	07
Product Assembly	08
Product Maintenance.....	09-10
Using Your Vactidy Appliance	11-13
Vactidy- Limited Warranty.....	29-30

IMPORTANT SAFETY INSTRUCTIONS

BEFORE USING THIS APPLIANCE READ ALL INSTRUCTIONS AND CAUTIONARY MARKINGS IN THIS MANUAL AND ON THE APPLIANCE

When using an electrical appliance, basic precautions should always be followed, including the following:

WARNING:

These warnings apply to the appliance, and also where applicable, to all tools, accessories, chargers or mains adaptors.

TO REDUCE THE RISK OF FIRE, ELECTRIC SHOCK, OR INJURY:

1. This Vactidy appliance can be used by children aged from 8 years and above and persons with reduced physical, sensory or reasoning capabilities, or lack of experience and knowledge, only if they have been given supervision or instruction by a responsible person concerning use of the appliance in a safe way and understand the hazards involved. Cleaning and user maintenance shall not be made by children without supervision.
2. Do not allow to be used as a toy. Close attention is necessary when used by or near children. Children should be supervised to ensure that they do not play with the appliance.
3. Use only as described in this Vactidy Instruction Manual. Do not carry out any maintenance other than that shown in this manual, or advised by the Vactidy Helpline.
4. Suitable for dry locations ONLY. Do not use outdoors or on wet surfaces.
5. Do not handle any part of the plug or appliance with wet hands.
6. Do not use with a damaged cable or plug. If the supply cable is damaged it must be replaced by Vactidy, its service agent or similarly qualified person in order to avoid a hazard.
7. If the appliance is not working as it should, has received a sharp blow, has been dropped, damaged, left outdoors, or dropped into water, do not use and contact the Vactidy Helpline.
8. Contact the Vactidy Helpline when service or repair is required. Do not disassemble the appliance as incorrect reassembly may result in an electric shock or fire.
9. Do not stretch the cable or place the cable under strain. Keep the cable away from heated surfaces. Do not close a door on the cable, or pull the cable around sharp edges or corners. Arrange the cable away from traffic areas and where it will not be stepped on or tripped over. Do not run over the cable.
10. Do not unplug by pulling on the cable. To unplug, grasp the plug, not the cable. The use of an extension cable is not recommended.
11. Do not use to pick up water.
12. Do not use to pick up flammable or combustible liquids, such as petrol, or use in areas where they or their vapours may be present.
13. Do not pick up anything that is burning or smoking, such as cigarettes, matches, or hot ashes.
14. Keep hair, loose clothing, fingers, and all parts of the body away from openings and moving parts, such as the brush bar. Do not point the hose, wand or tools at your eyes or ears or put them in your mouth.
15. Do not put any object into openings. Do not use with any opening blocked; keep free of dust, lint, hair, and anything that may reduce airflow.
16. Use only Vactidy recommended accessories and replacement parts.
17. Do not use without the dust bin and filter in place.
18. Unplug when not in use for extended periods and before maintenance or servicing.
19. Use extra care when cleaning on stairs.
20. Do not install, charge or use this appliance outdoors, in a bathroom or within 3 metres (10 feet) of a pool. Do not use on wet surfaces and do not expose to moisture, rain or snow.
21. Use only Vactidy chargers for charging this Vactidy appliance. Use only Vactidy batteries: other types of batteries may burst, causing injury to persons and damage.
22. Do not incinerate this appliance even if it is severely damaged. The battery may explode in a fire.
23. Always turn 'OFF' the appliance before connecting or disconnecting the motorised brush bar.

READ AND SAVE THESE INSTRUCTIONS

THIS VACTIDY APPLIANCE IS INTENDED FOR HOUSEHOLD USE ONLY



Do not use near naked flames.



Do not store near heat sources.



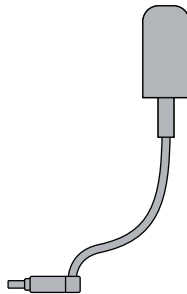
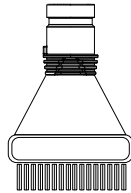
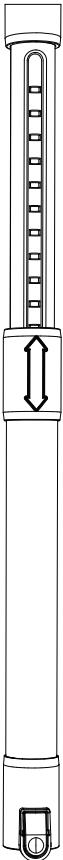
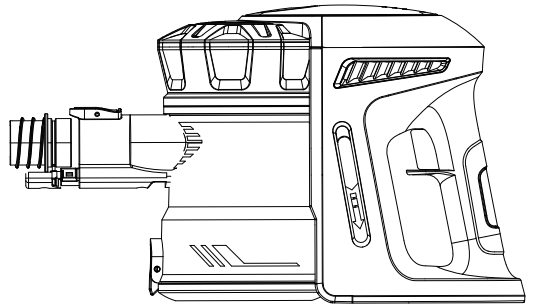
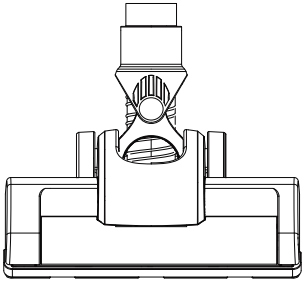
Do not pick up water or liquids.



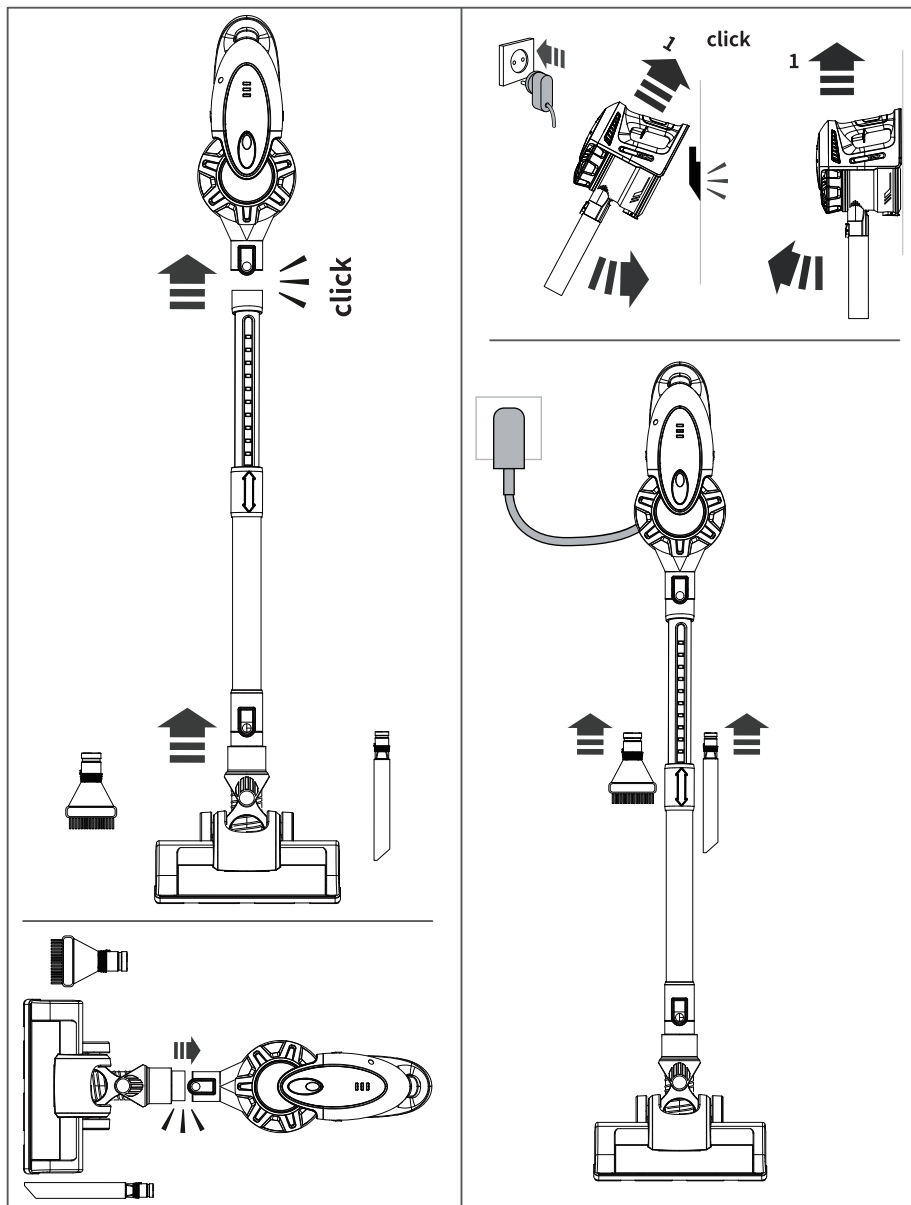
Do not pick up burning objects.



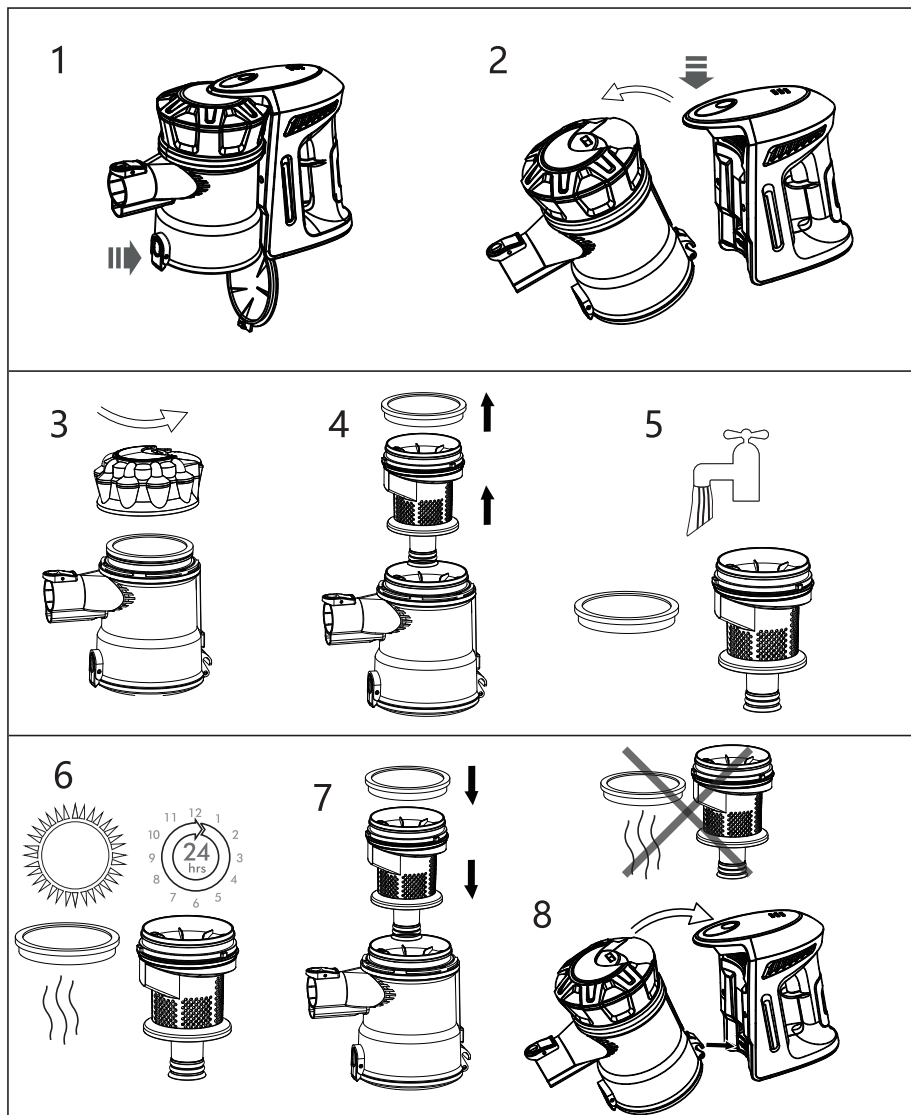
Do not put hands near the brush bar when the appliance is in use.



- Storage and charging in the docking station.
- Rangement et chargement dans la base.
- Aufbewahrung und Aufladung in der Ladestation.
- Almacenamiento y carga en la estación de carga de pared.
- Stoccaggio e ricarica nella stazione di ricarica.
- 収納壁掛けがお掃除が終わったら壁に収納できます。

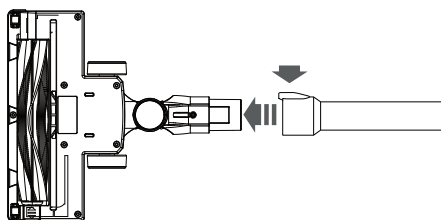


- Wash the filter with cold water at least once a month.
 - Laver le filtre à l'eau froide une fois par mois minimum.
 - Waschen Sie den Filter mindestens einmal im Monat mit kaltem Wasser aus.
 - Lave el filtro con agua fría al menos una vez al mes.
 - Lavare il filtro con acqua fredda almeno una volta al mese.
- 1、フィルターは、最低でも1ヶ月毎を目安に冷水で洗浄してください。水洗い後のフィルター組み立ては、完全に乾いてからお戻してお使いください。
- 2、フィルターを定期的に確認し、汚れていたら冷水で洗浄してください。元の位置に取り付ける前に、フィルターが完全に乾いていることを確認してください。

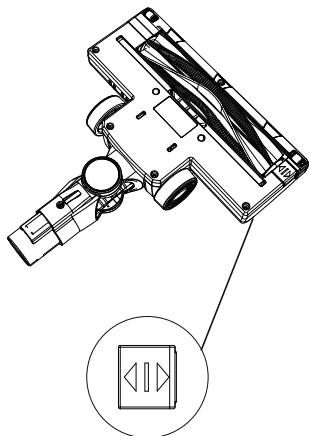


- Clean the floor brush and roller brush.
- Enlever les obstructions dans la brosse.
- Reinigung der Bürstwalze.
- Cómo limpiar el cepillo.
- Come pulire la spazzola.
- 回転ブラシに異物が絡まったら

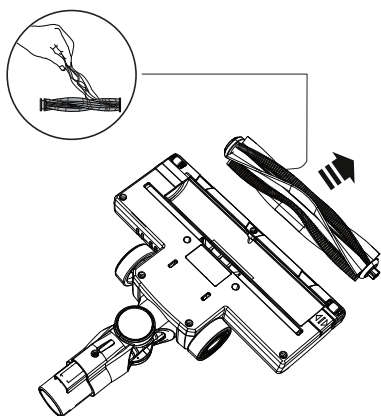
1



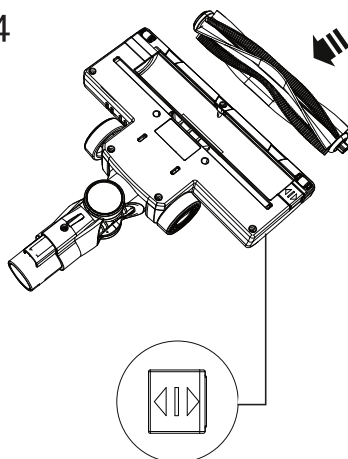
2



3



4



USING YOUR VACTIDY APPLIANCE

PLEASE READ THE 'IMPORTANT SAFETY INSTRUCTIONS' IN THIS VACTIDY INSTRUCTION MANUAL BEFORE PROCEEDING

OPERATION

- Do not use outdoors or on wet surfaces or to vacuum water or other liquids – electric shock could occur.
- Ensure the appliance remains upright in use and in storage. Dirt and debris may be released if it is turned upside down.
- Do not operate while checking for blockages.
- For domestic indoor and car use only. Do not use it while the car is in motion or while driving.
- This product has carbon fibre brushes. Take care if coming into contact with them, as they may cause minor skin irritation. Wash your hands after handling the brushes.

WALL BRACKET INSTALLATION

Use appropriate mounting hardware for your wall type and ensure that the docking station is mounted securely. Ensure no pipe work (gas, water, air) or electrical cables, wires or ductwork are located directly behind the mounting area. The docking station must be mounted in accordance with regulations and applicable codes/standards (state and local laws may apply). Vactidy recommends the use of protective clothing, eyewear and materials when installing the docking station.

CARPETS OR HARD FLOORS

- Before vacuuming your flooring, rugs and carpets, check the manufacturer's recommended cleaning instructions.
- The brush bar on the appliance can damage certain carpet types and floors. Some carpets will fuzz if a rotating brush bar is used when vacuuming. If this happens, we recommend vacuuming without the motorised floor tool and consulting with your flooring manufacturer.
- Before vacuuming highly polished floors, such as wood or lino, first check that the underside of the floor tool and its brushes are free from foreign objects that could cause marking.

LOOKING AFTER YOUR VACTIDY APPLIANCE

- Do not carry out any maintenance or repair work other than that shown in this Vactidy Instruction Manual, or advised by the Vactidy Helpline.
- Only use parts recommended by Vactidy. If you do not this could invalidate your guarantee.
- Store the appliance indoors. Do not use or store it below 3°C (37.4°F). Ensure the appliance is at room temperature before operating.
- Clean the appliance only with a dry cloth. Do not use any lubricants, cleaning agents, polishes or air fresheners on any part of the appliance.

VACUUMING

- Do not use without the dust container and filter in place.
- Fine dirt such as flour should only be vacuumed in very small amounts.
- Do not use the appliance to pick up sharp hard objects, small toys, pins, paper clips, etc. They may damage the appliance.
- When vacuuming, certain carpets may generate small static charges in the clear bin or wand. These are harmless and are not associated with the mains electricity supply. To minimise any effect from this, do not put your hand or insert any object into the dust container unless you have first emptied it. Clean the dust container with a damp cloth only. (See 'Cleaning the dust container' .)
- Use extra care when cleaning on stairs.
- Do not rest the appliance on chairs, tables, etc.
- Do not press down on the nozzle with excessive force when using the appliance as this may cause damage.
- Do not leave the floor brush in one place on delicate floors.
- On waxed floors the movement of the floor brush may create an uneven lustre. If this happens, wipe with a damp cloth, polish the area with wax, and wait for it to dry.

EMPTYING THE DUST CONTAINER

- Empty as soon as the dirt reaches the level of the Dust bin mark – do not overflow.
- Ensure the appliance is disconnected from the charger before emptying the dust bin. Be careful not to pull the 'ON' trigger.
- To make emptying the dust bin easier, it is advisable to remove the wand and floor tool.
- To release the dirt, push the blue button by the dust bin: Press once to open the bin base.
- To minimise dust/allergen contact when emptying, encase the dust bin tightly in a plastic bag and empty.
- Remove the dust bin carefully from the bag.
- Seal the bag tightly, dispose as normal.
- Close the dust bin base so it clicks into place and is secure.

CLEANING THE DUST CONTAINER

- Ensure the appliance is disconnected from the charger before removing the dust bin. Be careful not to pull the 'ON' trigger.
- Remove the wand and floor tool.
- Remove the dust bin carefully.
- Clean the dust bin with a damp cloth only.
- Do not use detergents, polishes or air fresheners to clean the dust bin.
- Do not put the dust bin in a dishwasher.
- Clean the cyclone shroud with the brush on the combination tool to remove lint and dust.
- Ensure the dust bin is completely dry before replacing.
- To replace the dust bin, push the dust bin up and in to the main body of the appliance. It will click into place.
- Close the dust bin base so it clicks into place and is secure.

WASHING YOUR FILTER

- Ensure the appliance is disconnected from the charger before removing the filter. Be careful not to pull the 'ON' trigger.
- Your appliance has one washable filter, located as shown.
- To remove the filter, lift it out of the top of the appliance.
- Check and wash the filter regularly according to instructions to product maintenance.
- The filter may require more frequent washing if vacuuming fine dust or if used mainly in 'Powerful suction' mode.
- Wash the filter with cold water only.
- Run water over the outside of the filter until the water runs clear.
- Squeeze and twist with both hands to make sure the excess water is removed.
- Lay the filter on its side to dry. Leave to dry completely for a minimum of 24 hours.
- Do not put the filter in a dishwasher, washing machine, tumble dryer, oven, microwave or near a naked flame.
- To refit, place the dry filter back into the top of the appliance. Make sure it is seated properly.

LOOKING FOR BLOCKAGES

- Ensure the appliance is disconnected from the charger before looking for blockages. Be careful not to pull the 'ON' trigger.
- Do not operate while checking for blockages. Failure to do so could result in personal injury.
- Beware of sharp objects when checking for blockages.
- To gain access to blockages in the floor tool, remove the base plate by using a coin to loosen the screw marked with a padlock.

- If you cannot clear an obstruction you may need to remove the brush bar. Use a coin to unlock the fastener marked with a padlock. Remove the obstruction. Replace the brush bar and secure it by tightening the fastener. Ensure it is fixed firmly before operating the appliance.
- This product has carbon fibre brushes. Take care if coming into contact with them, as they may cause minor skin irritation. Wash your hands after handling the brushes.
- Refit all parts securely before using. Clearing blockages is not covered by your guarantee

BLOCKAGES – THERMAL CUT-OUT

- This appliance is fitted with an automatically resetting thermal cut-out.
- Large items may block the tools or nozzle. If any part becomes blocked the appliance may overheat and automatically cut-out.
- Leave to cool down for 1-2 hours before checking the filter or for blockages.
- Ensure the appliance is disconnected from the charger before looking for blockages. Failure to do so could result in personal injury.
- Clear any blockage before restarting.
- Refit all parts securely before using.
- Clearing blockages is not covered by your guarantee.

CHARGING AND STORING

- This appliance will switch 'OFF' if the battery temperature is below 3°C (37.4°F). This is designed to protect the motor and battery. Do not charge the appliance and then move it to an area with a temperature below 3°C (37.4°F) for storage purposes.
- To help prolong battery life, avoid recharging immediately after a full discharge. Allow to cool for a few minutes.
- Avoid using the appliance with the battery flush to a surface. This will help it run cooler and prolong battery run time and life.

Diagnostics – battery

When in use, trigger pressed (light on cleaner):

3 solid blue light: ON

1 flashing blue light: No power

When charging battery (light on battery):

solid red light: charging

solid blue light: charging complete

red light/blue light exchanged flashing: fault

BATTERY SAFETY INSTRUCTIONS

- If the battery needs replacing please contact the Vactidy Helpline.
- Use only Vactidy chargers for charging this Vactidy appliance.
- The battery is a sealed unit and under normal circumstances poses no safety concerns. In the unlikely event that liquid leaks from the battery do not touch the liquid and observe the following precautions:
 - Skin contact – can cause irritation. Wash with soap and water.
 - Inhalation – can cause respiratory irritation. Expose to fresh air and seek medical advice.
 - Eye contact – can cause irritation. Immediately flush eyes thoroughly with water for at least 15 minutes. Seek medical attention.
 - Disposal – wear gloves to handle the battery and dispose of immediately, following local ordinances or regulations.

CAUTION

The battery used in this device may present a risk of fire or chemical burn if mistreated. Do not disassemble, short contacts, heat above 60 °C (140 °F), or incinerate. Keep away from children. Do not disassemble and do not dispose of in fire.

DISPOSAL INFORMATION

- Vactidy products are made from high grade recyclable materials. Recycle where possible.
- The battery should be removed from the product before disposal.
- Dispose of or recycle the battery in accordance with local ordinances or regulations.

Vactidy- Limited Warranty

The limited warranty applies to purchases made from authorised retailers of vactidy. Warranty coverage applies to the original owner and to the original product only and is not transferable.

Vactidy warrants that the unit shall be free from defects in material for a period of one year from the date of purchase when it is used under normal household conditions and maintained according to the requirements outlined in this instruction manual, subject to the following conditions and exclusions. Refurbished products sold by vactidy come with their own unique warranty that you can find on the product listing or contact us at support@vactidy.com with your order receipt for confirmation.

Product Registration

Apart from sufficient proof of purchase, online product registration may also be required in case of warranty claim, thus we highly recommend that upon purchase, you register your product(s) on vactidy's official website (www.vactidy.com) for reference and enjoy potential exclusive benefits. To register, please select the corresponding purchase channel along with the correct order number and product's serial number (SN).

REMEDY

The original unit deemed defective, according to vactidy's sole discretion, will be repaired or replaced for up to one year from the original purchase date.

EXCLUSION

Unless agreed in writing, the Limited Warranty will not apply to consequential and incidental damages and not apply if the defect(s) relate to:

1. Consumable parts such as filters or brushes etc. that are subject to normal wear and tear, and require regular maintenance and/or replacement to ensure the proper functioning of your unit.
2. Defects caused by rough or inappropriate handling or use or damage caused by accident, misuse, neglect, fire, water, lightning or other acts of nature, external sources such as weather, electrical outages or power surges.
3. Improper operation or maintenance, use not in accordance with the Product instructions or connection to improper voltage supply.
4. Negligent use or care, neglect or careless operation or misuse of the Product.
5. Accident, abuse, misapplication, or any unauthorised repair, modification or disassembly or opening of the chassis of the Product.
6. Any failure by Buyer or a third party to comply with environmental and storage requirements for the Product specified by Seller.
7. Any failure to adequately package the Product for transportation.
8. If the battery has been short-circuited, if the seals of the battery enclosure of the cells are broken or show evidence of intervention or if the battery has been used in equipment other than that for which it has been specified.
9. Use of parts not in accordance with the Product instructions.
10. Use of parts and accessories other than those produced or recommended by vactidy.
11. Use in a commercial environment as the Product is designed for residential use only.
12. Extreme or external causes beyond our reasonable control including but not limited to: breakdowns, fluctuation, or interruptions in electric power, ISP (internet service provider) service or wireless networks.
13. Weak and/or inconsistent wireless signal strength in your home.
14. Any product(s) purchased from unauthorised dealers/resellers.
15. Products used outside the country of purchase.
16. Lost and/or stolen products.

DISCLAIMER

This Limited Warranty is your sole and exclusive remedy against vactidy's sole and exclusive liability in respect of defects in your Product. This Limited Warranty replaces all other vactidy warranties and liabilities, whether oral or written.

WARRANTY SERVICE

For Retailer Store purchasing

If you wish to make a warranty claim, please contact your local distributor.

Upon contacting your distributor, please have the serial number of your Product ready and the original proof of purchase from an authorised reseller, showing the date of purchase and full details of the Product.

For Online Store purchasing

Please reach us by either of these channels

Live Chat: www.vactidy.com

Email: support@vactidy.com

Tel: (Only in English and Japanese currently. More languages support coming soon...)

EU: +44 (0)808 273 7688 Mon-Fri

US & CA: +1(833) 313 1310 Mon-Fri

JP: 050-5533-2720 Mon-Fri

When calling the customer support center, please have the order number for the purchase of the Vactidy product from the authorised retailer ready.

Shenzhen Runtong Technology Co., Ltd. (Authorized manufacturer)

Shenzhen Runtong Technology Co., Ltd. (manufacturer)

Floor 803, Block A, Building 5, Tusincere Park, Longcheng street, Longgang district, Shenzhen City, China



UEFastRefundGmbH

Friedrich-Alfred-Straße 184Duisburg47226 Deutschland

Customer Service

Email: support@vactidy.com

Europe	North & South America	Japan
+ 44 (0)808 273 7688	+ 1(833) 313 1310	050-5533-2720
Mon-Fri. 9am-5pm (CET)	Mon-Fri. 9am-6pm (ET)	お電話受付時間: 10:30-19:00 (13:30-15:00休み) 営業日:月曜-金曜 (土日・祝休)

